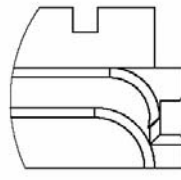
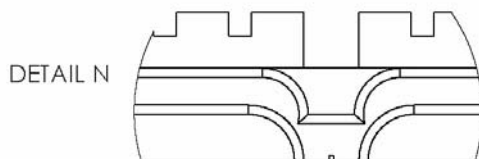


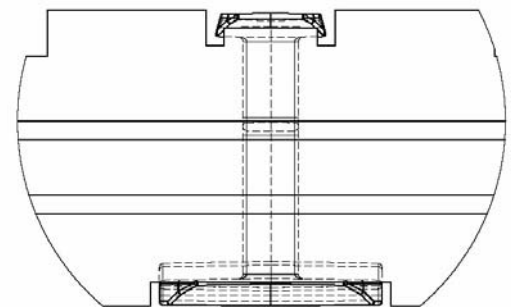
DETAIL D Side tongue & groove detail



DETAIL C



DETAIL N

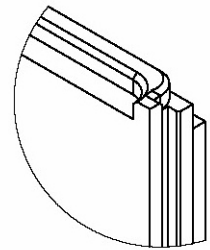
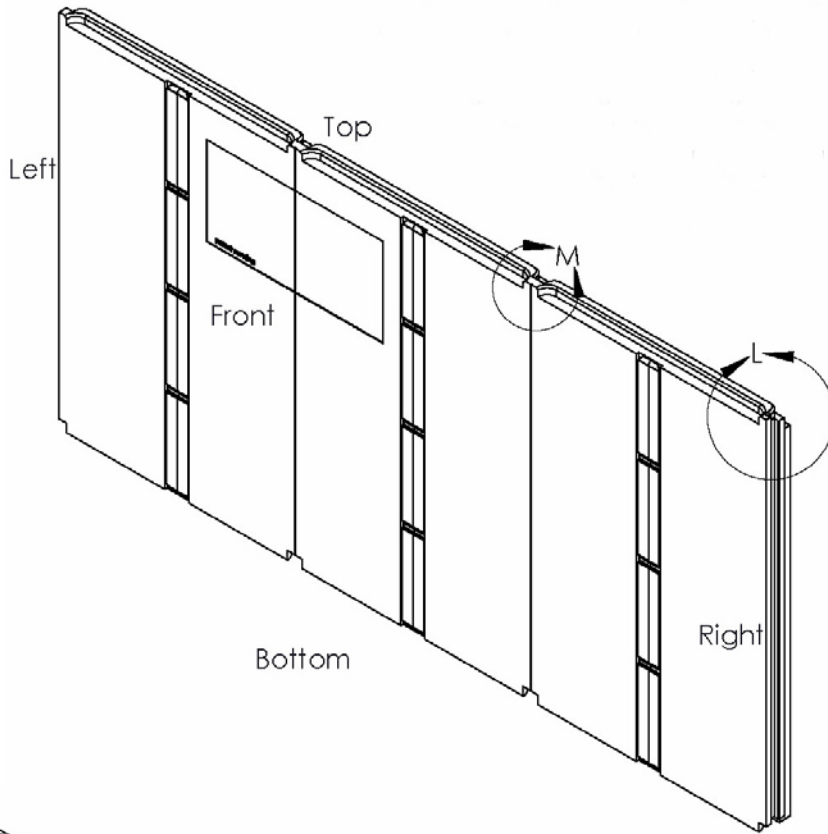


DETAIL K Attachment Stud

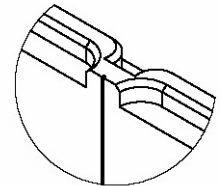
InSoFast™ Details



Patent Pending



DETAIL L
Tongue



DETAIL M
Alignment
Tab

