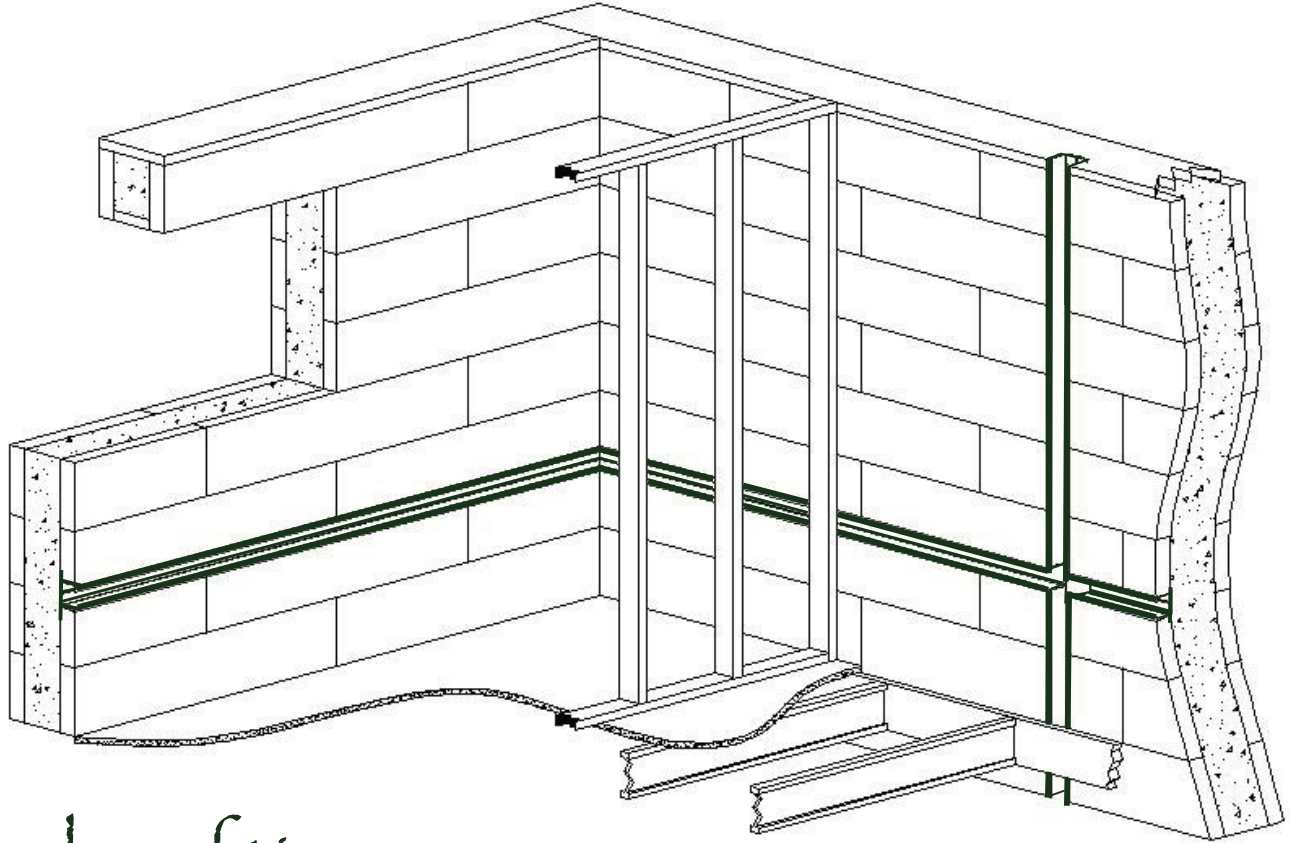




# E-Channel

[www.solcraftpdc.com](http://www.solcraftpdc.com)

Patent Pending



## Solcraft's E-Channel:

is an extruded vinyl channel that serves as an open chase for insulating concrete wall systems. The channel gives the ICF installer job site control and delivers a hassle free visible channel for the sub-trade's to install the building's varied services.

Future access to update building services in a pre planned wall chase reduces, the down time and cost associated with adopting new technologies.





# E-Connect System

www.solcraftpdc.com

## Solcraft's E-Channel Provides:

- Jobsite control
- Future adaptability
- Continuous open wire channel

## The Clip provides organized services.

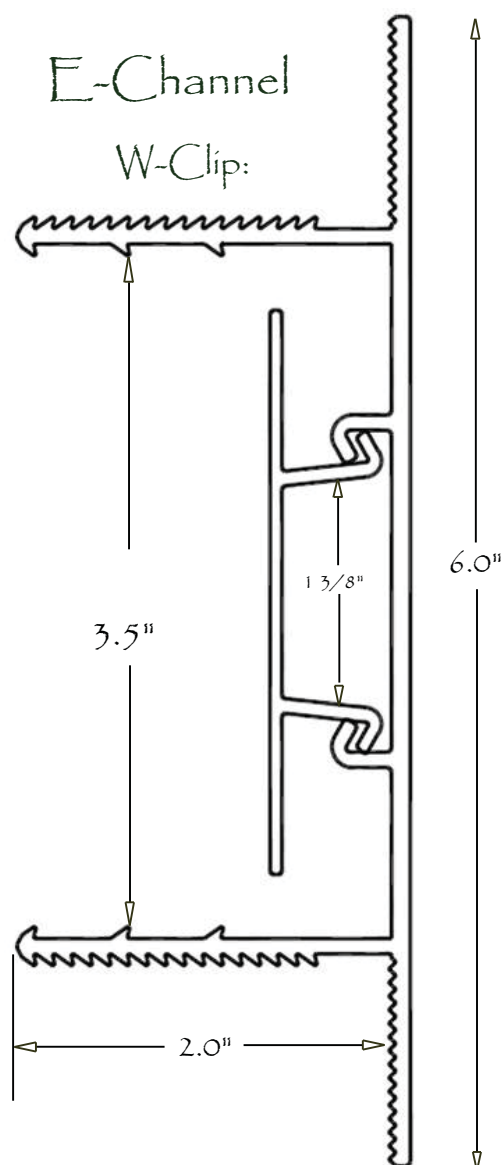
- Electrical wiring
- Low-voltage cabling

## Eliminates blind layouts

- Does not restrict concrete flow
- The system is open to visible inspection



Patent Pending



## Product codes: EC4

**E-Channel** 48" x 6" x 2" an open wiring chase for insulating concrete walls available with a 3/8" notches:

**EC4-6N** 6" inches on center

**EC4-8N** 8" inches on center

Available through: